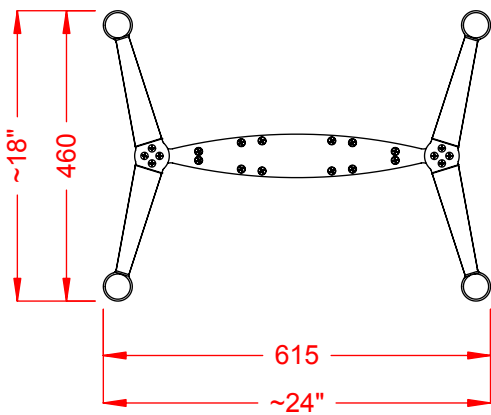
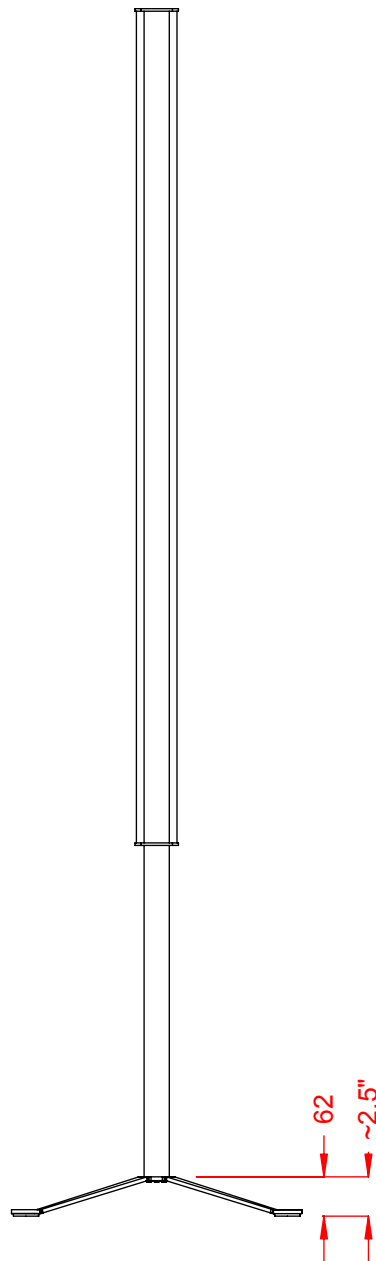
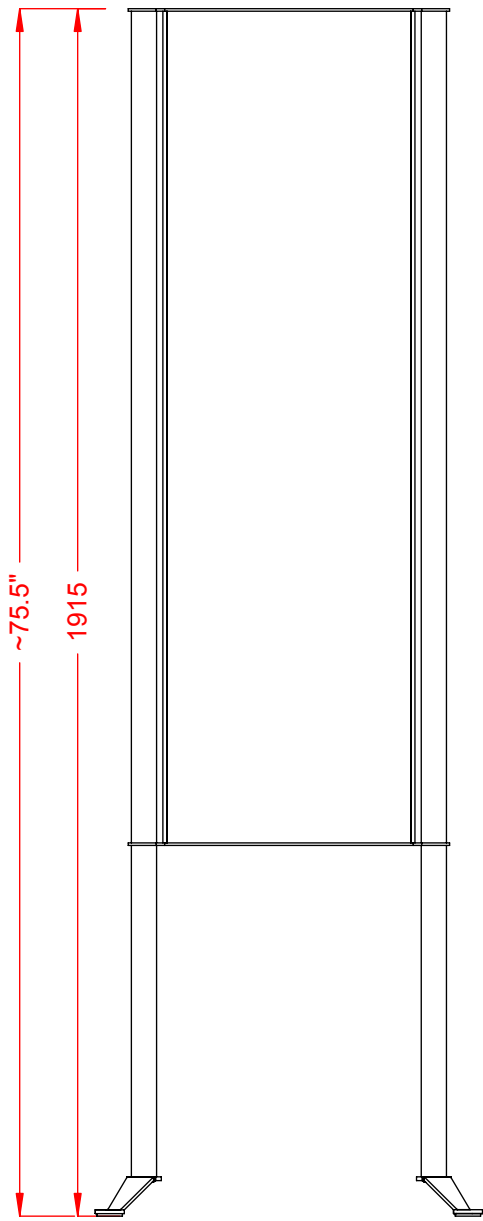


Project	MCFT #2602	Designer: Meni
Model	V400X1320 Post&Panel with Oval Base	Date: 23/07/2007
Part Number	Assembly-2602	Scale: 1:12
Material		Measurements in millimeters/inches Do not scale drawing

**PROPRIETARY AND CONFIDENTIAL**  
 THE INFORMATION CONTAINED IN THIS DRAWING IS THE SOLE PROPERTY OF VISTA SYSTEM.  
 ANY REPRODUCTION IN PART OR AS A WHOLE WITHOUT THE WRITTEN PERMISSION OF VISTA SYSTEM IS PROHIBITED



Project	MCFT #2602	Designer: Meni
Model	V400X1320 Post&Panel with Metal bended legs	Date: 23/07/2007
Part Number	Assembly-2602	Scale: 1:12
Material		Measurements in millimeters/inches Do not scale drawing

**PROPRIETARY AND CONFIDENTIAL**  
 THE INFORMATION CONTAINED IN THIS DRAWING IS THE SOLE PROPERTY OF VISTA SYSTEM.  
 ANY REPRODUCTION IN PART OR AS A WHOLE WITHOUT THE WRITTEN PERMISSION OF VISTA SYSTEM IS PROHIBITED